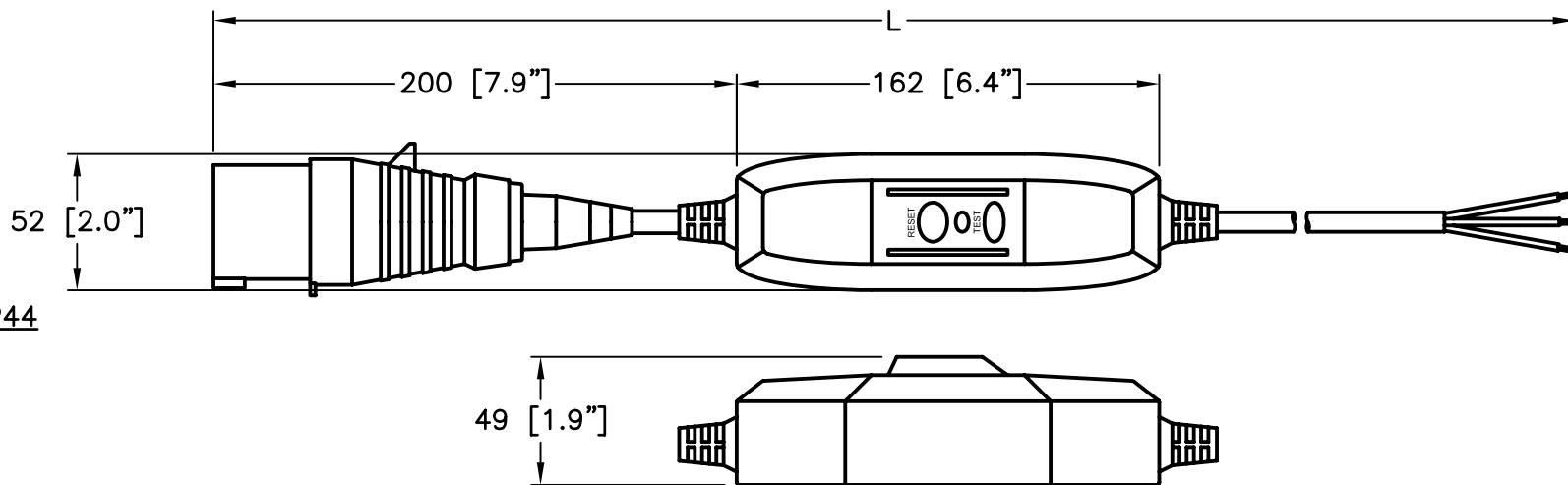


IEC 60309 IP44
4H Plug



Description	GFCI, In-Line Style with Cord
Rated Current	20 amps
Rated Supply Voltage	125 Volts
Frequency	60 Hz
Polarity	2 Pole 3 Wire
Tripping Current	4-6 mA
Maximum Tripping Time	25 ms
Ambient Temperature Range	-35C to 66C
Reset Type upon Power Loss	Manual (also known as Active or non-Latching)
Color	Black
Design	UL Standard 943 Class A, CUL C22.2 compliant UL, CUL listed Rainproof Design
Plug	IEC 60309 IP44 4H, Straight
Cordage	12/3 awg SJTW, Black
Receptacle (Connector)	None, 2" ROJ and Strip All 1/4"
Function	Test and Reset Buttons not to be used as ON/OFF switch

ALL DIMENSIONS ARE IN MILLIMETERS

WORLD CORD SETS, INC.

TEL (860)763-2100
FAX (860)763-1183



www.WorldCordSets.com
sales@WorldCordSets.com

TITLE

GFCI CORD SET, IN-LINE STYLE

THIS DOCUMENT AND THE INFORMATION CONTAINED HEREIN ARE THE PROPRIETARY CONFIDENTIAL PROPERTY OF WORLD CORD SETS. NO USE OR REPRODUCTION IN PART OR WHOLE MAY BE MADE WITHOUT WRITTEN PERMISSION FROM WORLD CORD SETS.

SCALE
NONE

DATE
12-3-2007

PART NO.
LMB7-N24W-XXXX

REV
-